

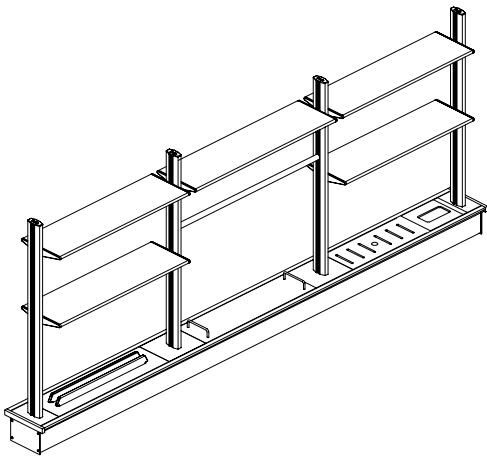
# Molteni & C

## SISTEMA XY

FRANCESCO MEDA, 2020



1-  
6



Francesco Meda's XY project is a universally accessorized system that can match any model of Molteni&C kitchens, whether they are wall-mounted or freestanding islands. The central axis of the design is a customizable channel with dedicated spaces for items such as knife holders, chopping boards, spice jars, electric plug units, smoke extraction hoods, and plate racks. The sections themselves can accommodate various sliding accessories, including a wooden 130 x 130 cm board that can be used as an informal table. Additionally, uprights can be installed vertically to support a system of aluminum shelves finished in materials such as wood or stainless steel. The underside of the shelves features a recess for housing LEDs, while the shelf-bearing uprights have sections for inserting hooks to hang gadgets, wine glasses, kitchen paper rolls, and more. This rail system provides freedom of movement for the accessories, allowing them to be easily positioned within reach in the kitchen.



### FINISHES Sistema XY

pewter accessorized channel integrated into the top,  
pewter pedestals with lighting shelves eucalyptus insert,  
eucalyptus sliding snack top with pewter support



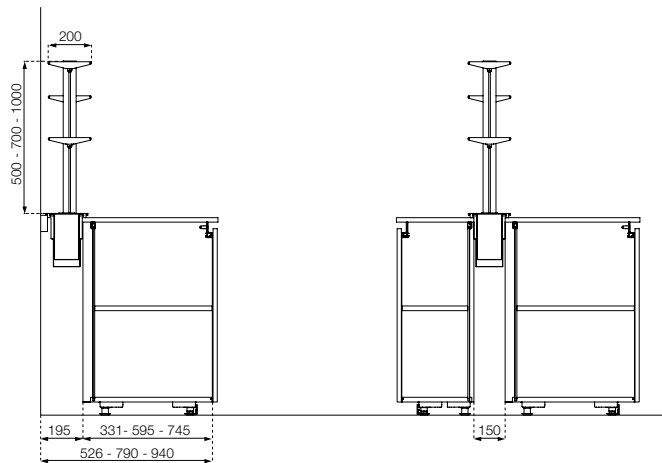
### PLUSES

- Design Francesco Meda
- Functional and flexible
- Applicable to all Molteni&C kitchens
- Highly customizable
- Multi-accessorized
- Sliding tops and accessories

# Molteni & C

## Accessorized channel

The sistema XY is an accessorised channel integrated into the kitchen worktop, a modular storage element that contains different accessories. It can be positioned on island compositions or wall compositions, with or without shelves, and the accessories can be arranged freely to fit the client's needs. Not for use on Banco or Tivoli kitchens. Accessories are sized on multiples of 150 mm. Except for the compositions which feature oversized elements, or elements not in multiples of 150 mm, accessories are always aligned in width with the composition of the kitchen. If the sum of the accessories exceeds the width of the kitchen, the last accessory is replaced by a filler in black Fenix.



Wall-mounted accessorised channel

Island accessorised channel



2-  
6

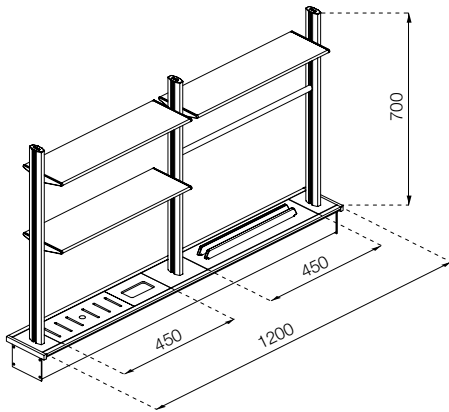


Integrated Down-draft hood in accessorized channel

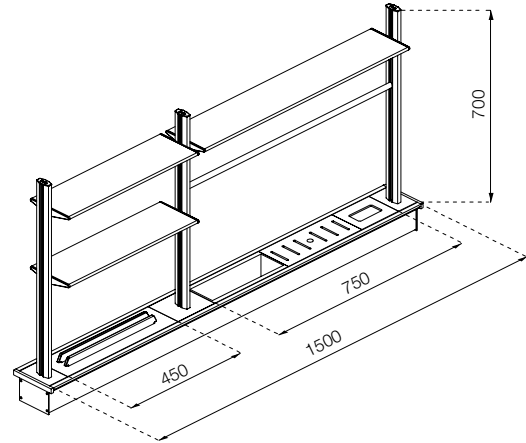


# Molteni & C

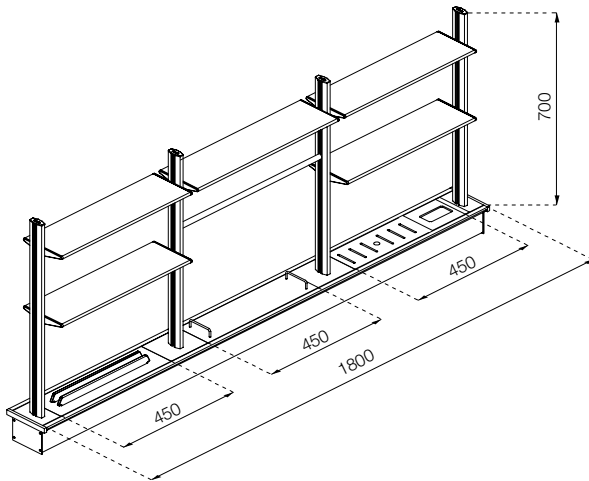
## Canale attrezzato



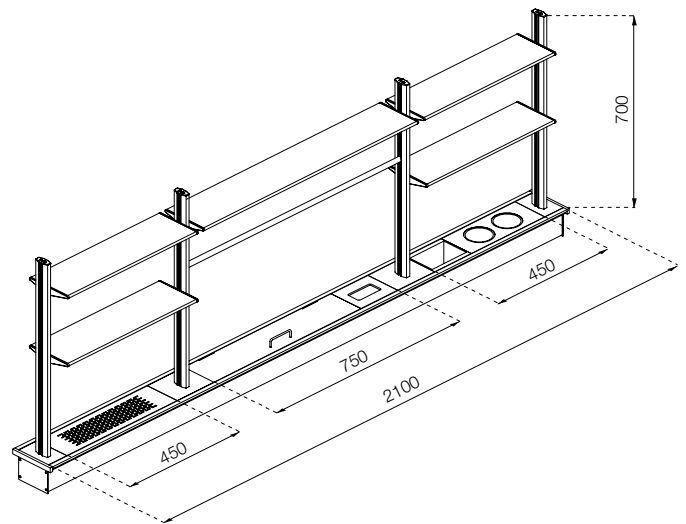
L/W 1200 mm



L/W 1500 mm



L/W 1800 mm



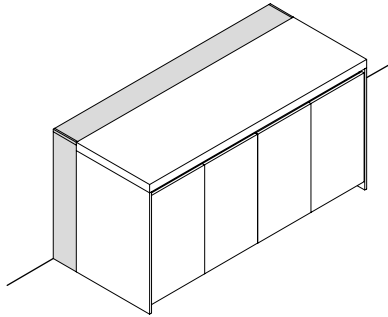
L/W 2100 mm

# Molteni & C

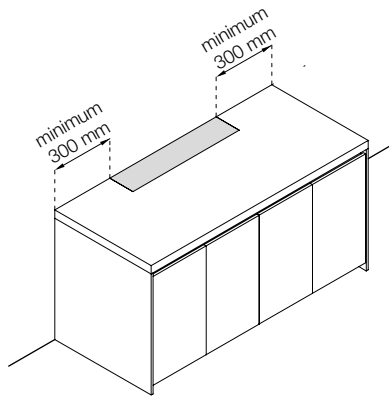
## Wall-mounted Sistema XY

Depending on design needs, the channel can run through the width of the entire composition, remain inside of it, or run through a part of it. There can be many types of compositions, and therefore the ones shown here are only examples. The complete accessorised channel can be installed on all depths of single-sided worktops. When the accessorised channel ends on a visible side, it is closed with a finished end panel. When the channel does not run from side to side, the interruption must have a distance of 150 mm from the sides of the island, with a minimum margin of 300 mm. Reducing a channel to a non-standard size must also comply with the interval of 150 mm.

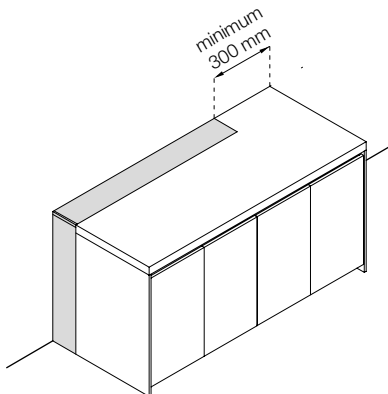
### SIDE TO SIDE



### INTERNAL



### HYBRID



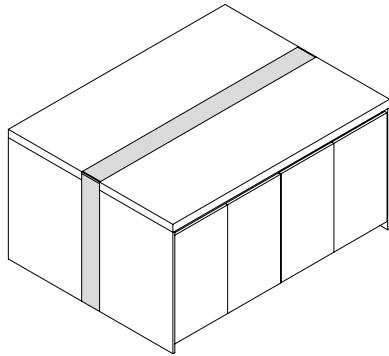


# Molteni & C

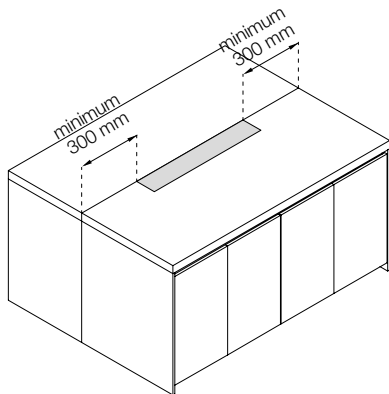
## Sistema XY on island

The accessorised channel cannot be used on the frame structure for base unit for suspended base units. Using the accessorised channel on the VVD island, the only snack top compatible is the D.1126 mm model (NO 976 / 1240)

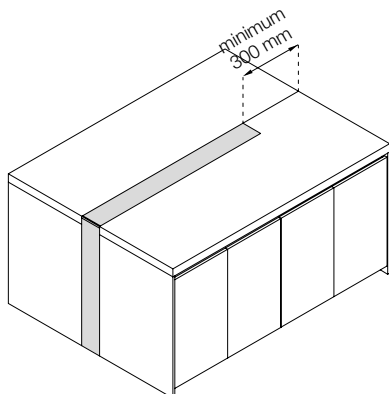
### SIDE TO SIDE



### INTERNAL



### HYBRID



5-  
6

# Molteni & C

## Sliding snack table

Sliding snack table on worktop. To move the tray, we advise lifting it up and then setting it on the worktop. Do not drag it.



### WORKTOP FINISHES

Woods (no Palma)



### DIMENSIONS

W 1200/1500/1800 mm  
x TH 42 mm



6-  
6

